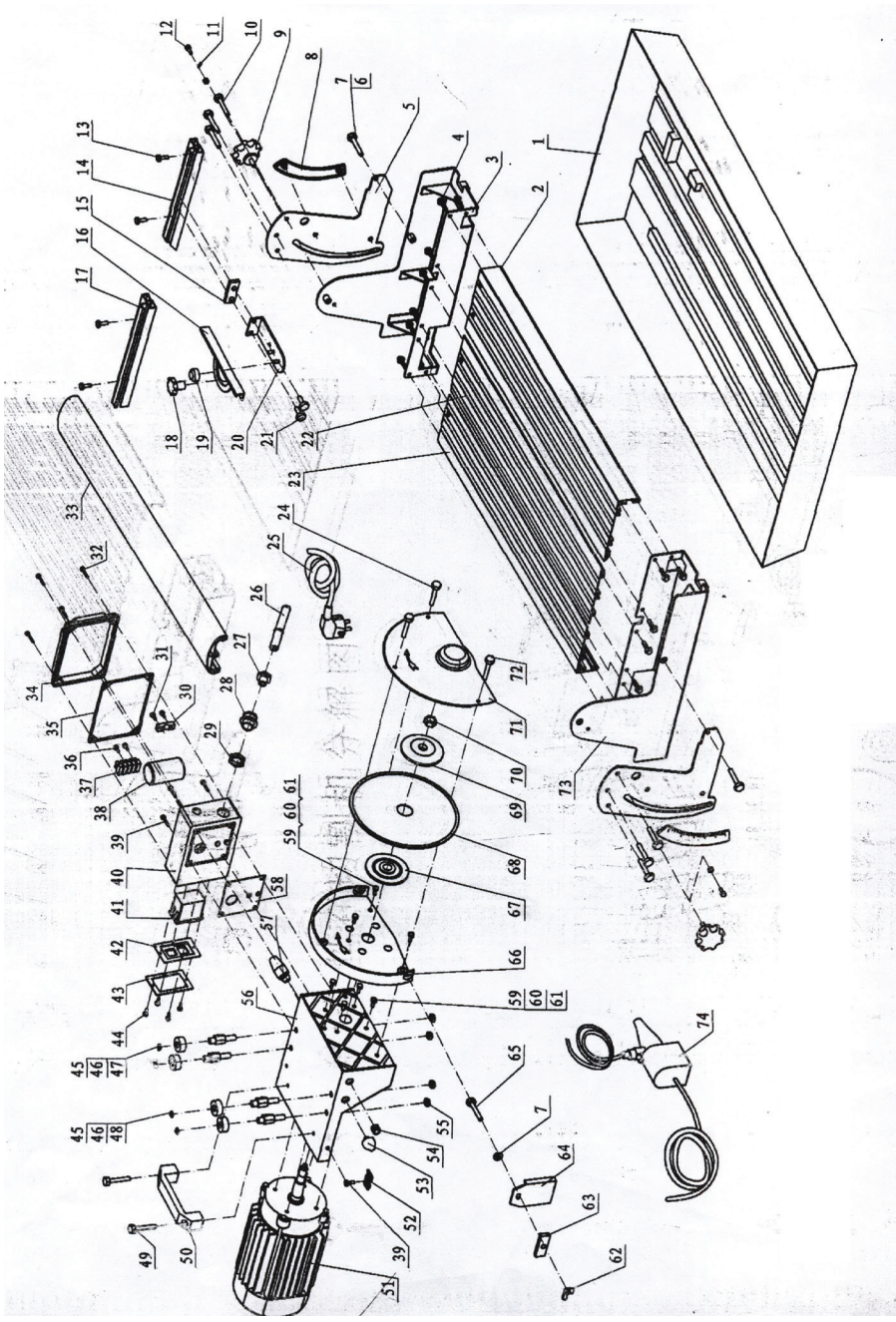
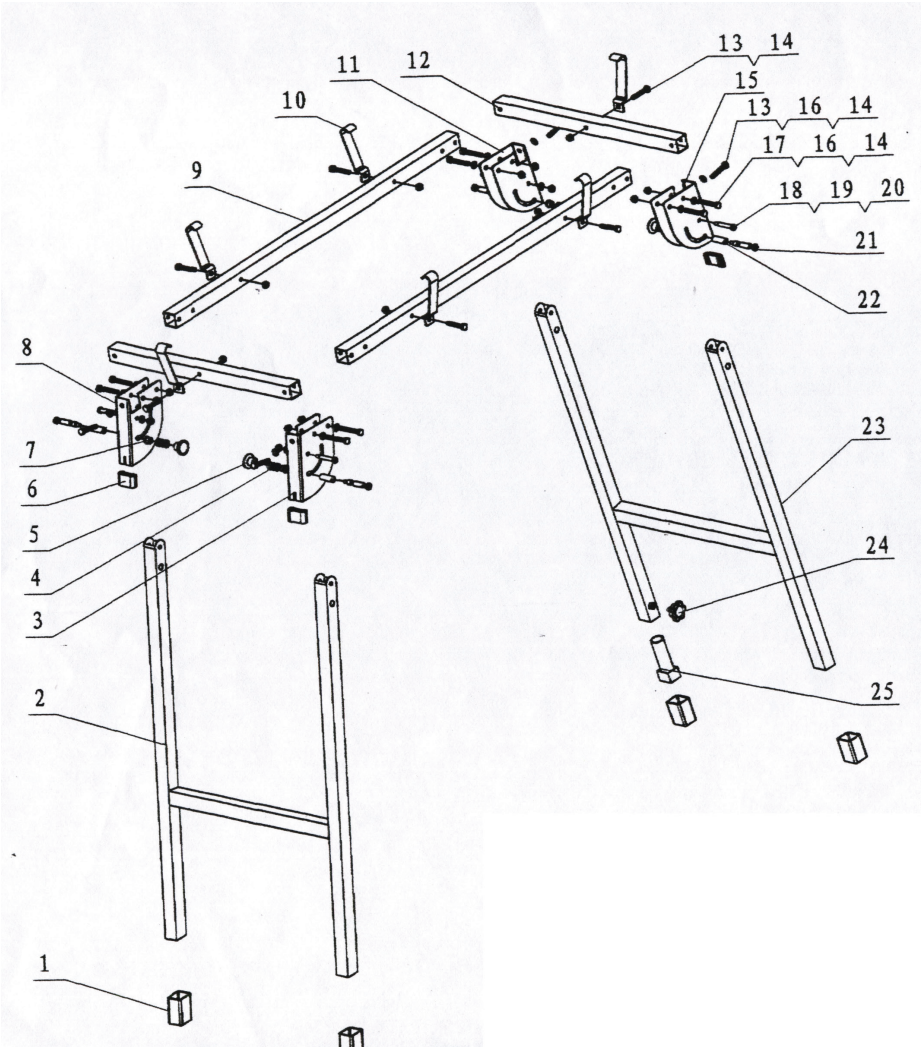


Exploded drawing of Tile Cutting Machine RDP-ETC26T



Exploded drawing of Tile Cutting Machine RDP-ETC26T #2



Spare Parts List of TILE CUTTING MACHINE RDP-ETC26T

No.	Description	Q'ty		No.	Description	Q'ty
1	Water tank	1		38	Capacitor	1
2	Left table	1		39	Scrtew M5X15	4
3	Front supporting frame	1		40	Switch box	1
4	Screw M5x20	16		41	Switch CK-1	1
5	Angle board	2		42	Corer guide	1
6	Screw M6x15	2		43	Pressed tablets	1
7	Flat washerΦ6	2		44	Screw M2.9x6.5	4
8	Angle ruler	2		45	Φ9 protective-washer for arbor	4
9	Knob	2		46	609ZZ protective-dust bearing	4
10	Screw M6X18	6		47	Concentric axes	2
11	Pointer	1		48	Partiality axes	2
12	Screw M5X16	1		49	Screw M6X15	2
13	Screw M6x25	4		50	Handle	1
14	Left fence	1		51	Motor	1
15	Sliding screw nut	1		52	Protective board	1
16	Scale plate	1		53	Limiting lump	1
17	Right fence	1		54	Transit sets	
18	Angle buler knob	1		55	M8 Nut	4
19	Protective-dust cover	1		56	Motor support	1
20	Base for angle ruler	1		57	Limiting lump A	1
21	Locking screw	2		58	Rubber seal washer	1
22	Right table A	1		59	Screw M5X15	7
23	Right table B	1		60	Spring washer Φ5	7
24	Screw M4x10	2		61	Flat washer Φ5	7
25	Plug cord	1		62	M6 butterfly nut	1
26	Anti-kick device	1		63	Protective-water board nip	
27	Outer nut	1		64	Protective-water board	1
28	Connector for screw nut	1		65	Screw M6x12	1
29	Inner nut	1		66	Fixing safeguard	1
30	Presing cord board	1		67	Inside flange	1
31	Plastic screw M3.5x16	2		68	Blade Φ200	1
32	Plastic screw M2.9X18	4		69	Outside flange	1
33	Guide	1		70	M12 Nut	1
34	cover for switch box	1		71	Safeguard	1
35	Seal washer	1		72	M4 screw	1
36	Plastic screw M2.9X16	2		73	Back supporting frame	1
37	Terminal	1		74	water pump	1